

**CORRIGENDUM – 1****Ref: - Tender No. - 105235/CREDA/SPV IRRIGATION PUMPS/2022-23 Dated:27-07-2022****Following Amendment/Addendum/Clarification is being made against Pre Bid queries received against Tender No. - 105235/CREDA/SPV IRRIGATION PUMPS/2022-23 Dated: 27-07-2022**

S.N o.	Page No./ Ref. Clause	Original Version	Amendment/Addendum/Clarification
1	Page No. 5 / Checklist Point 12.	Original ITRs for last three Financial Years i.e. 2018-19, 2019-20 & 2020-21/2021-22 of the Bidder.	Copy of ITRs for last three Financial Years i.e. 2018-19, 2019-20 & 2020-21/2021-22 of the Bidder.
2	Page No. 8 / Clause 1a.	Bidders of Chhattisgarh should have minimum direct experience of Supply and installation of 500 Nos. and that of other state should have minimum direct experience of supply and installation of 1000 Nos. of SPV Pumps under a Govt. Scheme of any state or Market Mode Scheme of CREDA for the last 3 financial years i.e. 2019-20, 2020-21, 2021-22 & till 30.06.2022.	Bidders of Chhattisgarh should have minimum direct experience of Supply and installation of 300 Nos. and that of other state should have minimum direct experience of supply and installation of 1000 Nos. of SPV Pumps under a Govt. Scheme of any state or Market Mode Scheme of CREDA for the last 3 financial years i.e. 2019-20, 2020-21, 2021-22 & till 30.06.2022.
3	Page No. 9/ Clause 2a.	The term Bidder used hereinafter would therefore apply to both as single entity and as Consortium. Consortium of companies/organizations/bidders (maximum of two members) registered in India and must be in existence for at least 3 (three) years as on publication of this tender. Both the partners should have at least 3(three) years' experience in the field of installation of solar pumping systems.	The term Bidder used hereinafter would therefore apply to both as single entity and as Consortium. Consortium of companies/organizations/bidders (maximum of two members) must be continuously in existence for at least 3 (three) years as consortium bidders from the Date of issue of notice inviting bid. Both the partners should have at least 3(three) years' experience in the field of installation of solar pumping systems.

S.No.	Page No./ Ref. Clause	Original Version	Amendment/Addendum/Clarification
4	Page No.11: Clause 3.c. ii	START-UP AND NEW ENTREPRENEUR :- ii. Start-Up and New Entrepreneur bidders should have minimum direct experience of Supply and installation of 25 nos. SPV Irrigation pumps.	ii. This point is deleted.  <b>Additional Clause</b> a. Start-up & New Entrepreneur bidders who are not having any experience may participate in this tender but they should fulfill all other eligibility criteria as per clause 3c (i, iii, iv, v). They may be allocated maximum 10 nos. pumps on acceptance of lowest /approved rates subject to eligibility. b. Other Bidders of Chhattisgarh state, who are not fulfilling the criteria as per clause 1a. may participate in the tender subjected to fulfilling the other eligibility criteria as per clause 3c (i, iii, iv). They may be awarded work, based on their assessed capacity and past performance subjected to availability of target.
5	Page No. 12 / Clause- 8	Bidder shall have to submit copies of GST registration number along with GST Clearance certificate and PAN numbers issued by the appropriate authority.	Bidder shall have to submit copies of GST registration number and PAN numbers issued by the appropriate authority.
6	Page No. 17 / Clause- 22 d.	Payment of GST according to GST prevailing rate applicable at the time of opening of bid or else the date of installation of solar pumping systems, whichever is less, shall be applicable in addition to the base price.	This point is deleted
7	Page No. 27 / Clause- 32 b.	For installation carried out in Chhattisgarh the above determined assessed capacity shall be further doubled.	This point is deleted.

S.N o.	Page No./ Ref. Clause	Original Version	Amendment/Addendum/Clarification
8	Page No. 33 / Clause- 3 c.	v. Modules must qualify to IEC TS 62804-1:2015 for the detection of potential induced e-gradation - Part 1: Crystalline silicon (Mandatory in case the SPV array voltage is more than 600 VDC) viii. Variation in overall SPV array wattage from the specified wattages shall be within zero percent to +10 percent.	i. Modules must qualify to IEC TS 62804-1:2015 for the detection of potential induced degradation - Part 1: Crystalline silicon (Mandatory in case the SPV array voltage is more than 600 VDC) viii. Variation in overall SPV array wattage from the specified wattages shall be within zero percent to +10 percent and higher wattage will be acceptable.
9	Page No. 37 / Clause- 3 i. ii-1	99 liters of water per watt peak of PV array, from a Total Dynamic Head of 10 meter (Suction head, if applicable, maximum of 7 meters) and with the shut off head being at least 12 meter.	99 liters of water per watt peak of PV array, from a Total Dynamic Head of 10 meter (Suction head, if applicable, <b>minimum</b> of 7 meters) and with the shut off head being at least 12 meter.
10	Page 39	e-Price Bid	Updated e-Price Bid is as per Annexure-IA. Kindly note e-Price Bid of Original Tender Document at Page-39 stands cancelled.
11	Page 56, 72 & 90	Base plate drawings for 6 MMS of 320 Wp & above Modules, 9 MMS of 320 Wp & 9 MMS of 535 Wp & above	Base plate drawing attached in tender document as Annexure-VI A-4 Page no. 56, Annexure-VI A-20 Page no. 72 and Annexure-VI A-38 Page no. 90 shall stands cancelled and amended base plate dimensions shall be as per the updated drawing annexed as Annexure-IIA.

**Note-**

- All above amendments will be applicable for every clause having same point (co-related) in tender document.
- All other terms and conditions will remain same as per tender document.
- Bidder shall take note of the above amendment and submit their bids accordingly.
- This amendment forms an integral part of bidding document and shall be submitted along with the e-technical bid duly stamped and signed as a token of acceptance.

## Annexure-IA

## e – Price Bid

## e – Price Bid (For supply, installation, Commissioning &amp; Testing of Pump)

Schedule of Rates for SPV DC- AC Surface/ Submersible Pumps  
(e-bidding as per Specifications & Scope of Work of No. 105235/CREDA/SPV IRRIGATION  
PUMPS/2022-23 Dated : 27.07.2022)

Supply, Survey, formulation of proposal, Installation and Commissioning of Solar Photovoltaic Pumps (all types of MNRE Models) anywhere in the State of Chhattisgarh.

Sl. No.	Item Code	Particulars	UOM (Unit of Measurement)	Rates of Solar Pumping System with Solar Module, Solar Pump, Controller, M.M Structure, L.A, Earthing-02 Nos., Rope wire, Cable, PVC Pipes and other required BOS and with five years warrantee, System insurance, CMC, Civil work, installation, commissioning and testing Excluding GST (in multiples of 100)
1.	3 HP DC Surface Pump	Min. 320 Wp x 9 nos Modules 3 HP DC (Surface Pump)	LS	
2.	3 HP AC Surface Pump	Min. 320 Wp x 9 nos Modules, 3 HP AC (Surface Pump)	LS	
3.	3 HP DC Submersible Pump	Min. 335 Wp x 9 nos Modules, 3 HP DC (Submersible Pump)	LS	
4.	3 HP AC Submersible Pump	Min. 335 Wp x 9 nos Modules, 3 HP AC (Submersible Pump)	LS	
5.	5 HP DC Surface Pump	Min. 320 Wp x 15 nos/ Min. 535 Wp x 9 nos Modules, 5 HP DC (Surface Pump)	LS	
6.	5 HP AC Surface Pump	Min. 320 Wp x 15 nos / Min.535 Wp x 9 nos Modules, 5 HP AC (Surface Pump)	LS	
7.	5 HP DC Submersible Pump	Min. 320 Wp x 15 nos / Min.535 Wp x 9 nos Modules, 5 HP DC (Submersible Pump)	LS	
8.	5 HP AC Submersible Pump	Min. 320 Wp x 15 nos / Min. 535 Wp x 9 nos Modules, 5 HP AC (Submersible Pump)	LS	

- Above rates are for anywhere in the State of Chhattisgarh inclusive of roadworthy packing, loading, unloading, all types of incidental expenses, 5 years warrantee, insurance and COM as mentioned in the tender document. Above rates applicable for all types of pump models for each category as per MNRE Specifications 2019-20 and Tender Annexure – VIII, IX (Page 113-116).
- As per GST notification no. 24 /2018-Central Tax (Rate) dated 31.12.2018 and 8/2021-Central Tax (Rate) dated 30.09.2021. GST Rate will be applicable under composite supply and installation basis. Rate of GST on supply of Goods (70% of gross consideration treated as supply of Goods) 12% GST and balance portion (30% of gross consideration treated as taxable installation services) 18% GST will be paid extra. No other cost will be claimed other than above quotes price & the applicable GST.

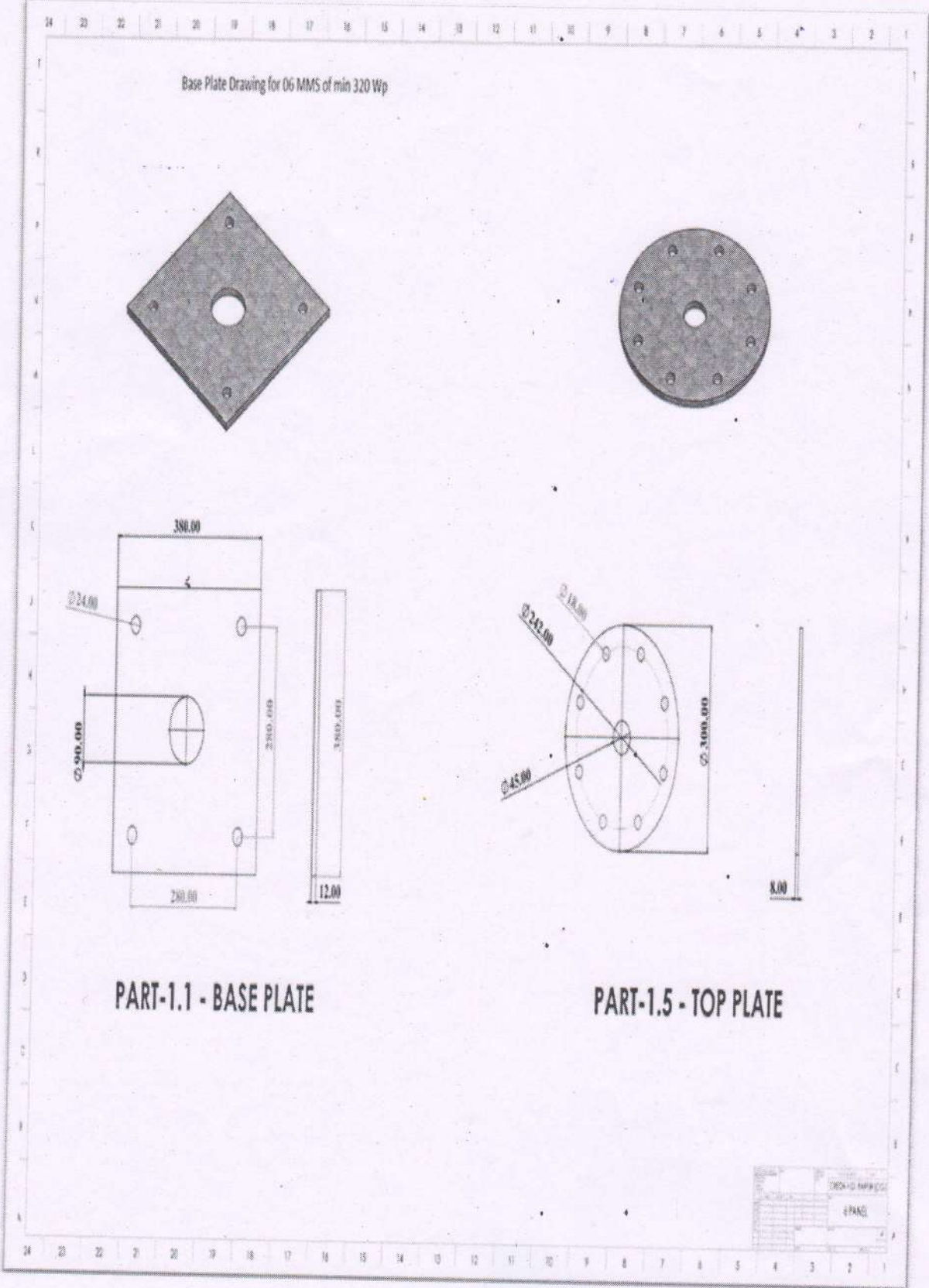
Note: In this regard if there is any change in the composition ratio of goods and services by any Authority/ Courts, same shall be applicable:

Signature of the Authorized Signatory : .....

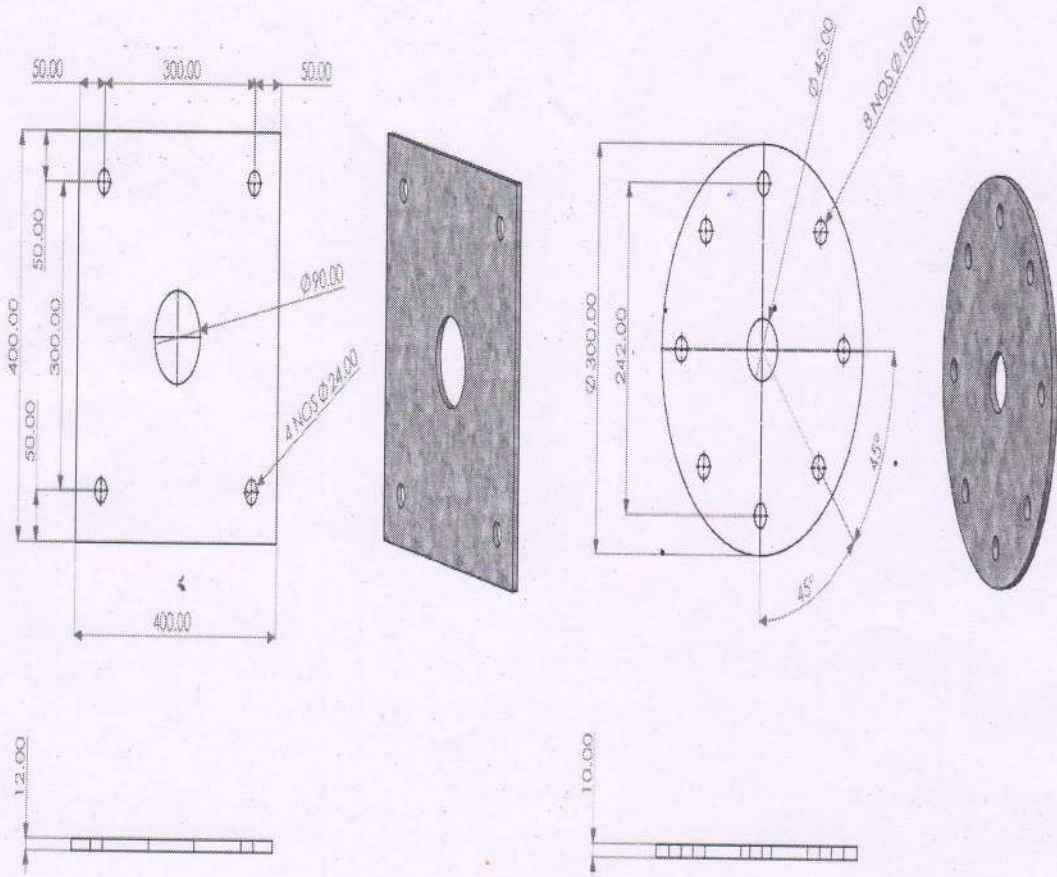
Seal of Company : .....

Date : .....

A-4



Base Plate Drawing for 09 MMS of min 320 Wp



PART NO. 1.1  
BASE PLATE

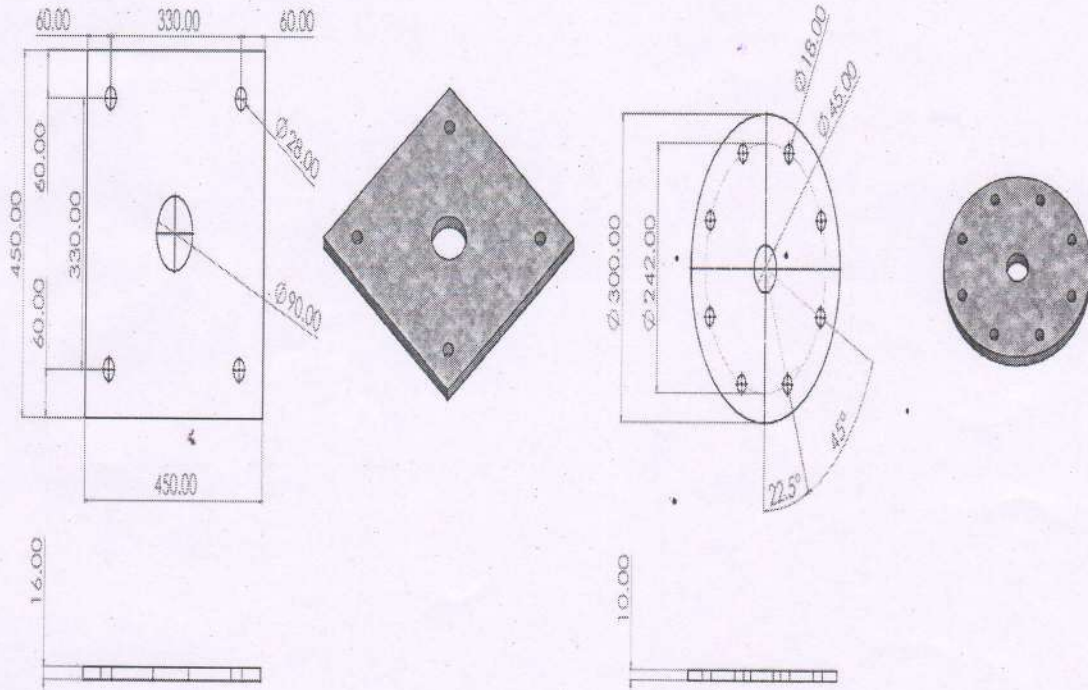
PART NO. 1.4  
TOP PLATE

REV	DATE	BY	CHKD	APPD
CREATED BY: PAVAN K. S.				
MMS ASSEMBLY				



A-38

Base Plate Drawing for 09 MMS of min 535 Wp



**PART NO. 1.1  
BASE PLATE**

**PART NO. 1.4  
TOP PLATE**

NO.	REVISION	DATE	BY	CHKD.

7 HNS DRAWING

